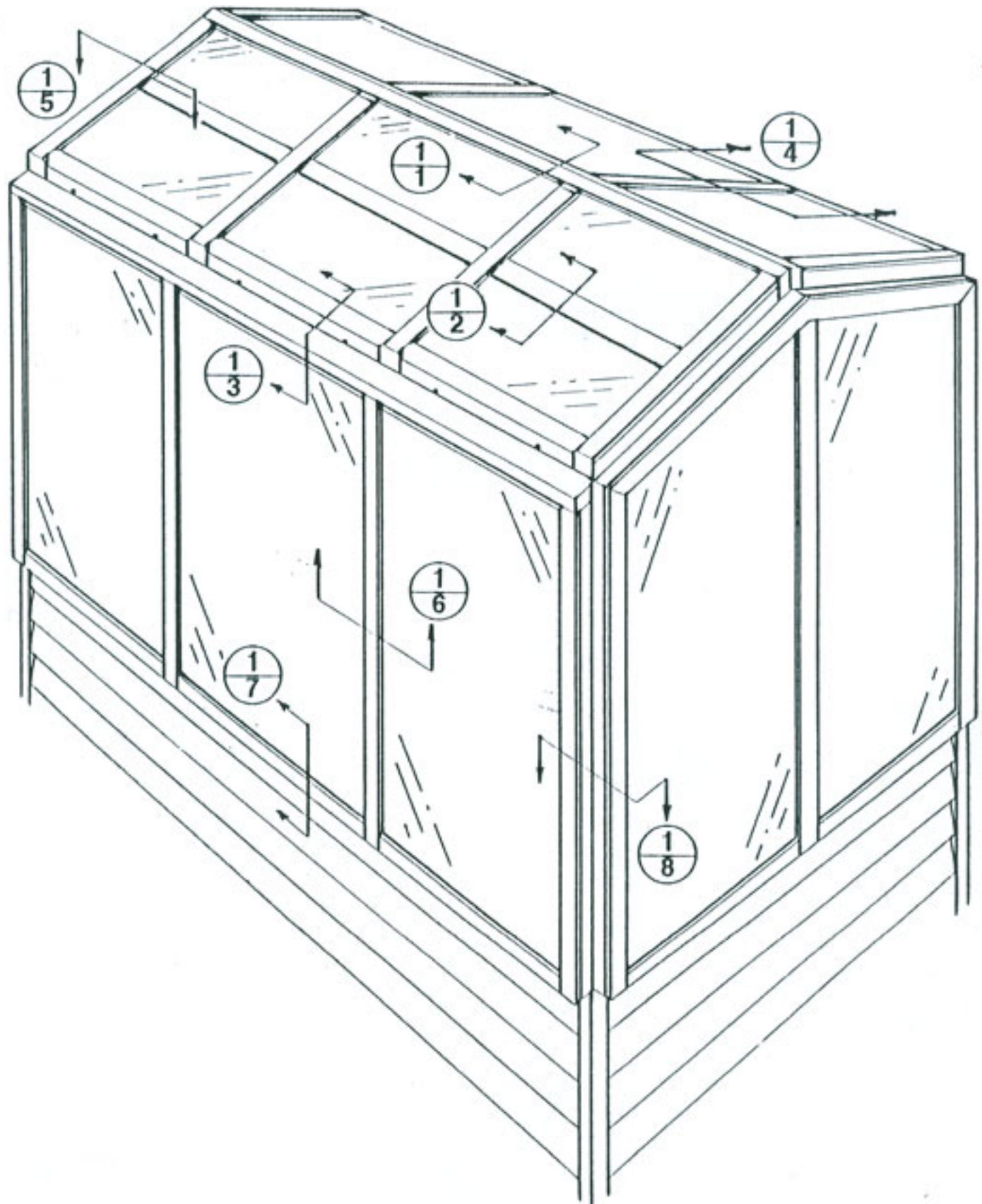


# SECTION 1

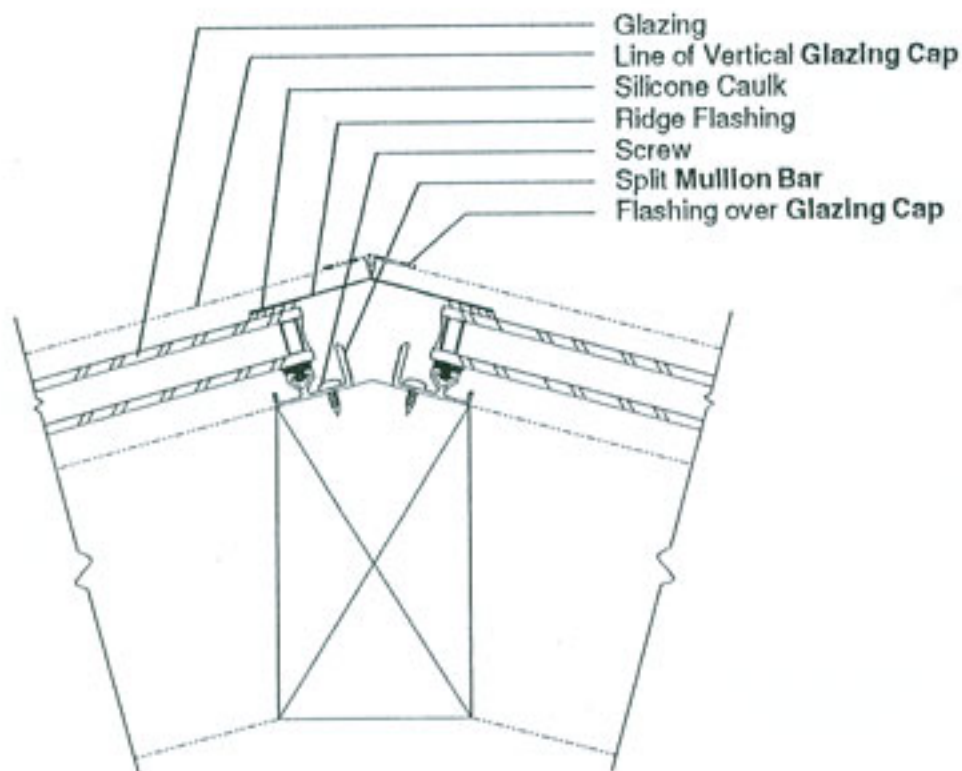
**PRO-SEAL™**



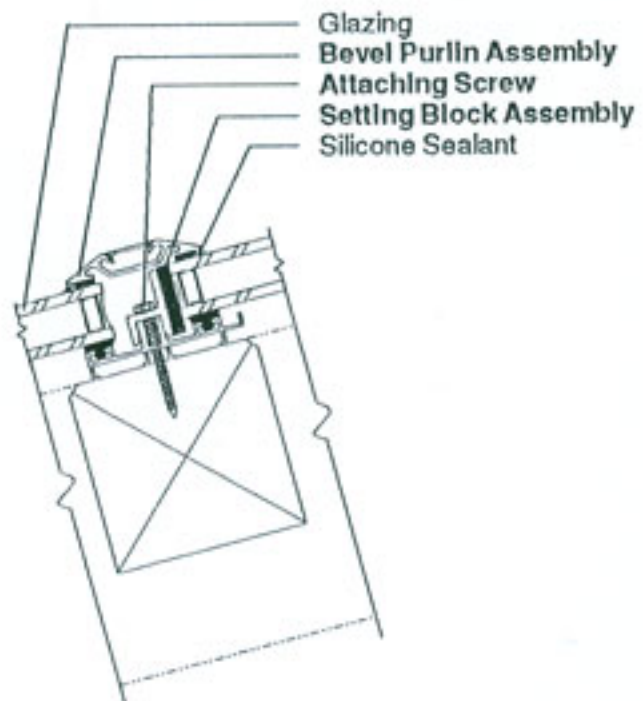
**SUNROOM / ATRIUM SECTIONS**

# SECTION 1

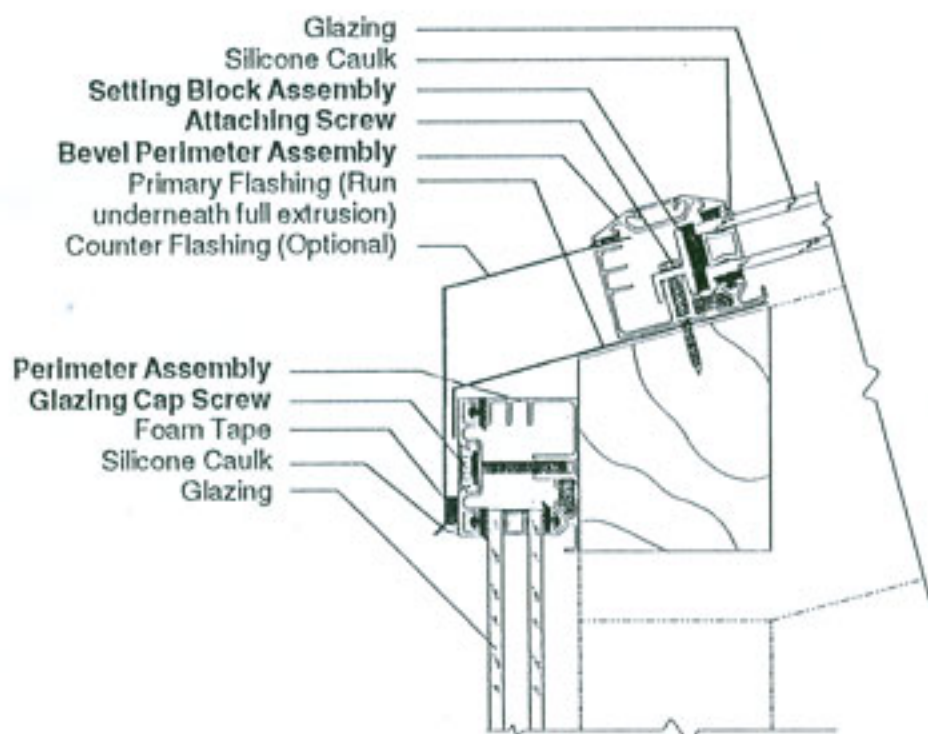
# PRO-SEAL™



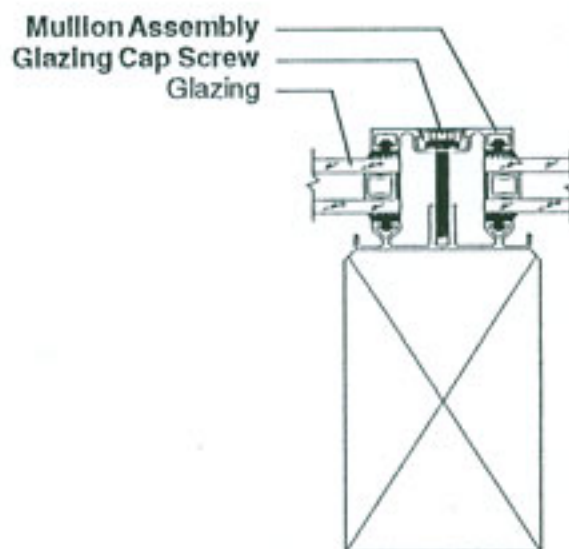
1  
1 **RIDGE/HIP SECTION**



1  
2 **PURLIN SECTION**



1  
3 **EAVE PURLIN SECTION**

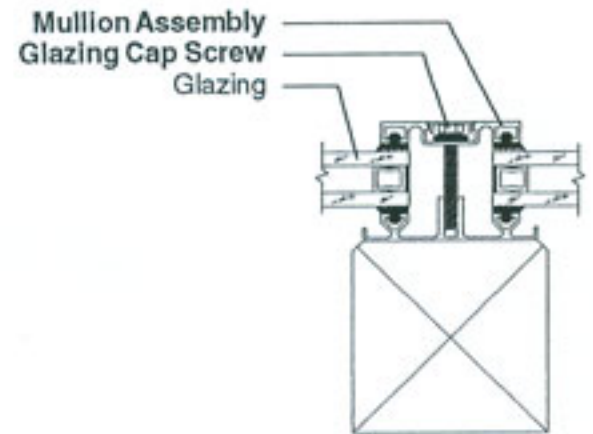
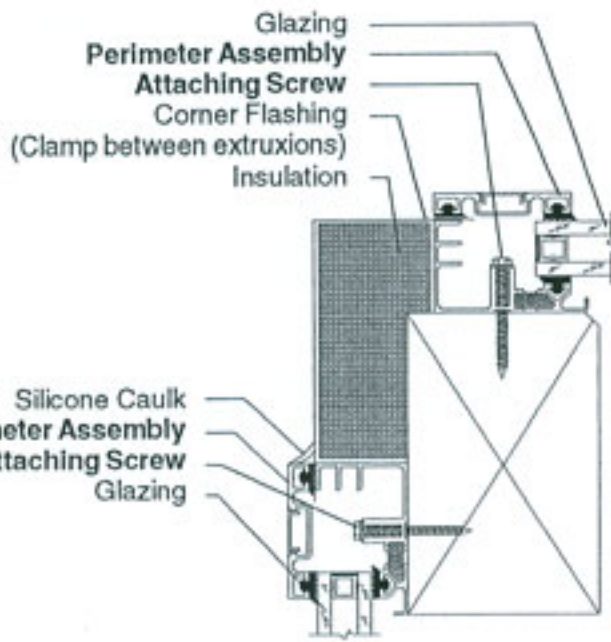


1  
4 **MULLION SECTION**

Scale: 3"=1"

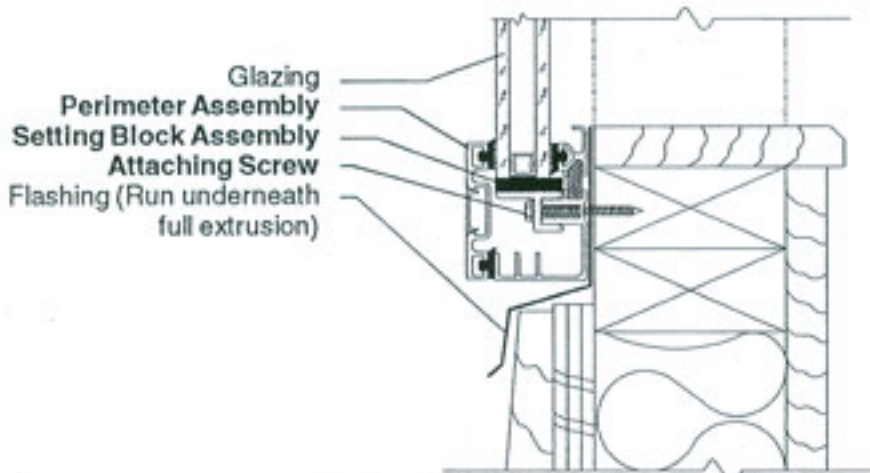


# SECTION 1

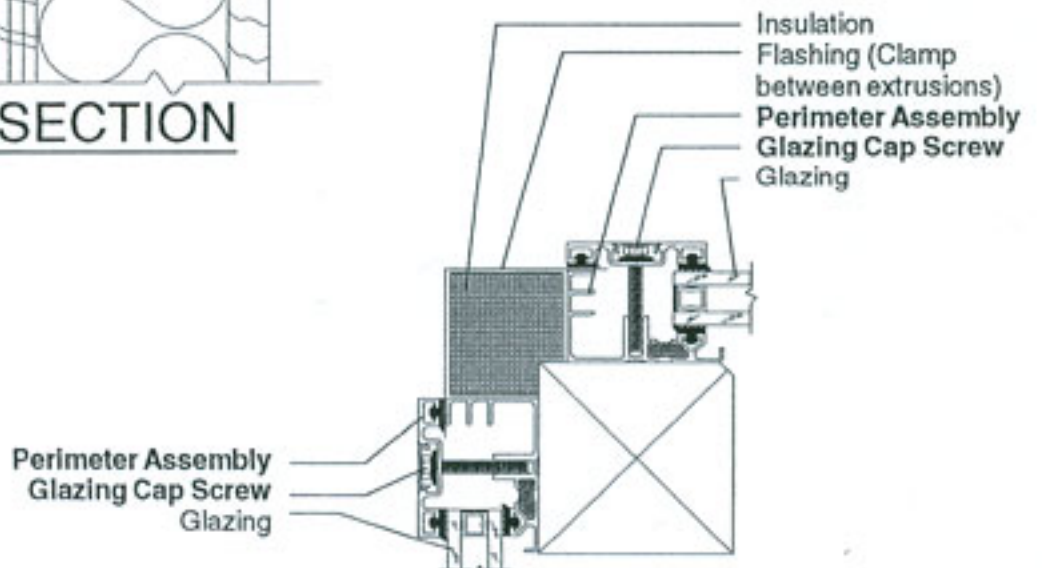


1  
5 ROOF CORNER SECTION

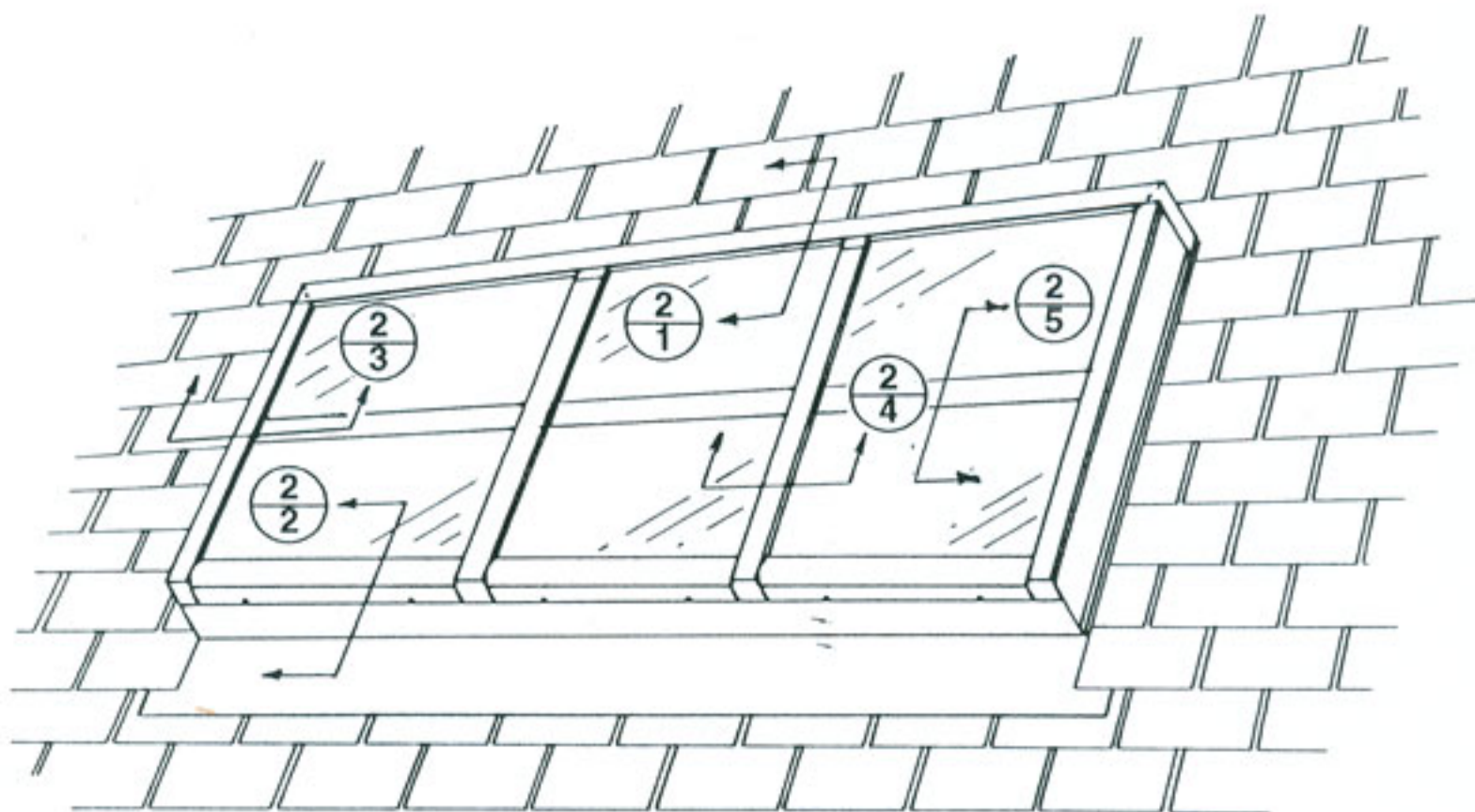
1  
6 POST SECTION



1  
7 SILL SECTION



1  
8 POST CORNER SECTION



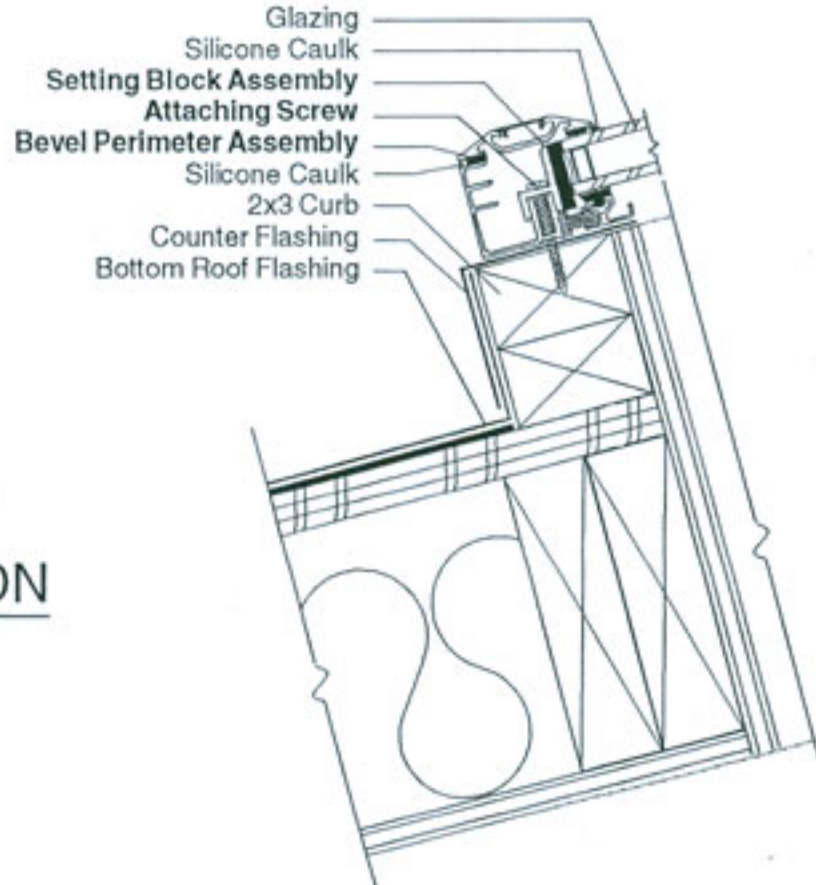
**CURB SKYLIGHT SECTIONS**

# SECTION 2

# PRO-SEAL™



2 TOP SECTION  
1

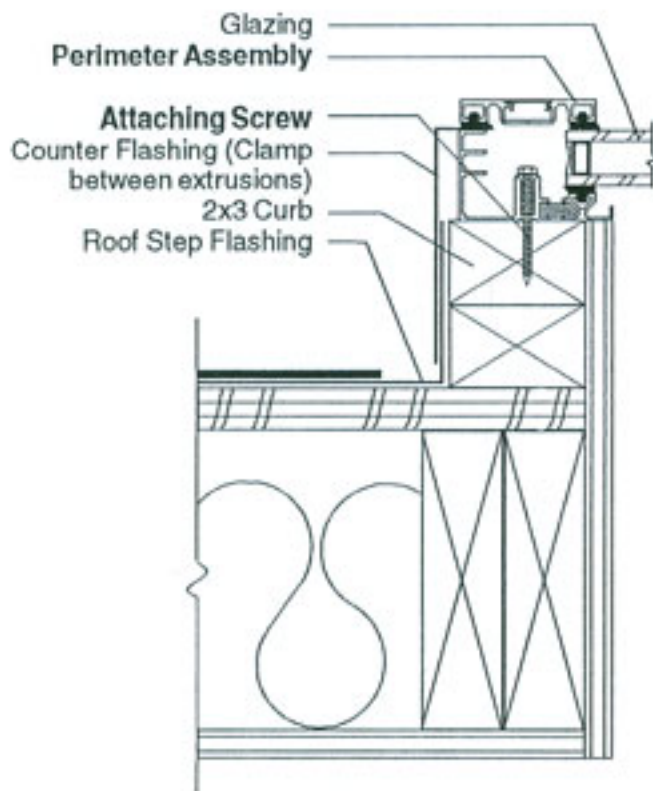


2 BOTTOM SECTION  
2

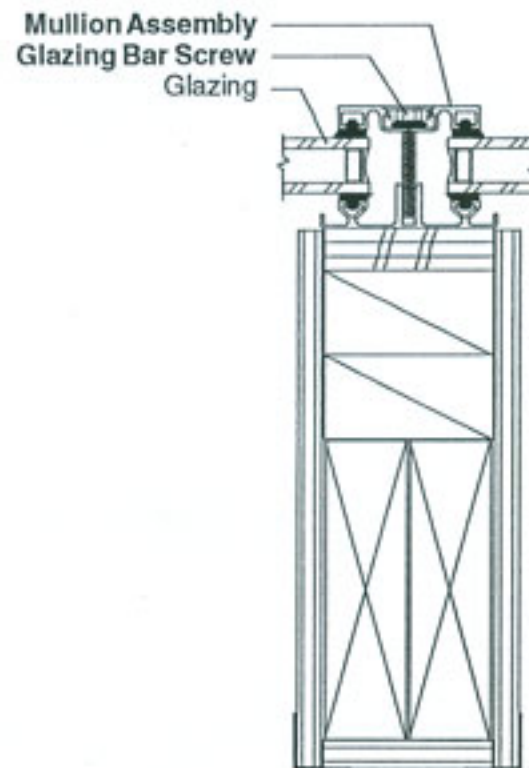


# SECTION 2

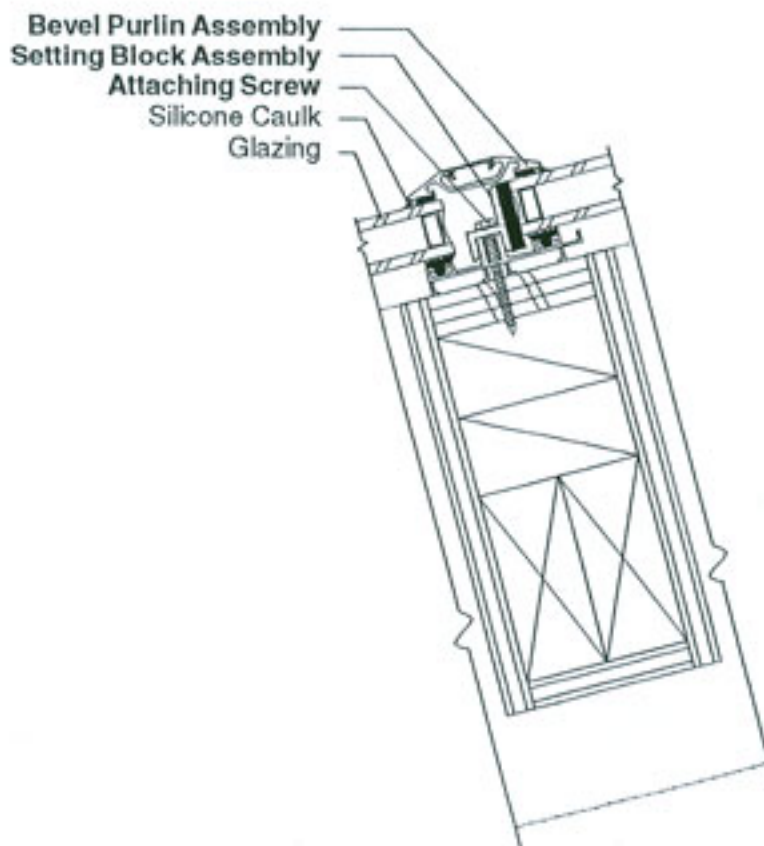
# PRO-SEAL™



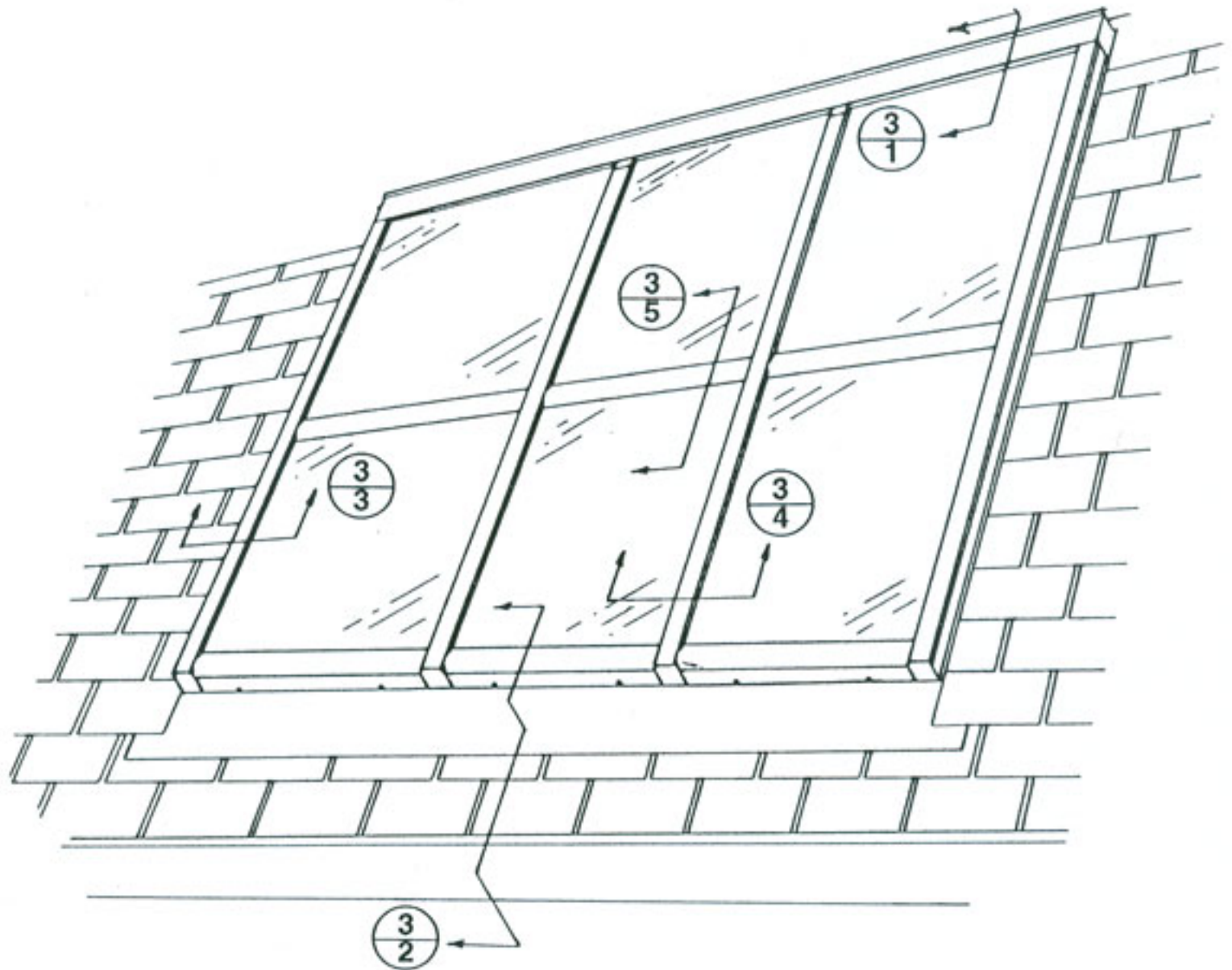
2 SIDE SECTION  
3



2 MULLION SECTION  
4

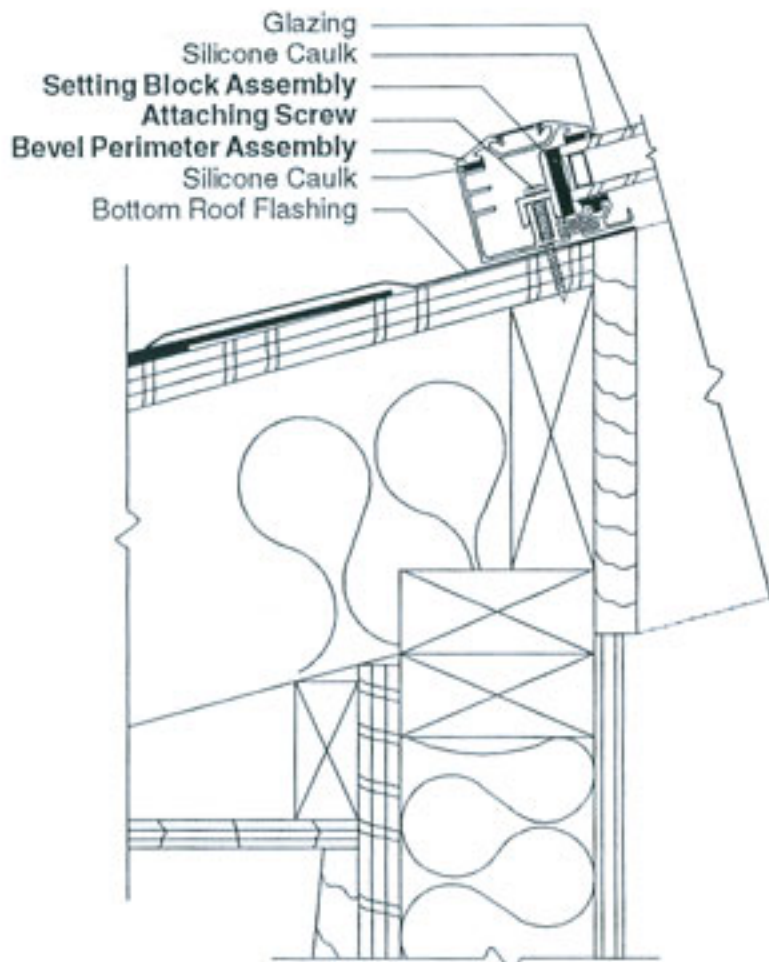
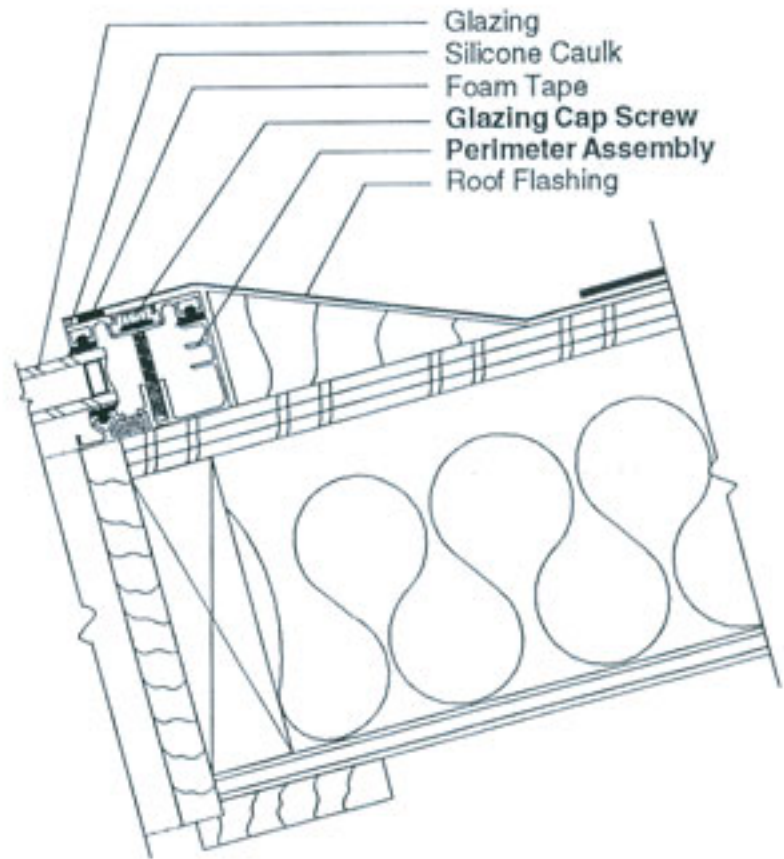


2 PURLIN SECTION  
5



**FLUSH SKYLIGHT SECTIONS**

**3**  
**1** TOP SECTION

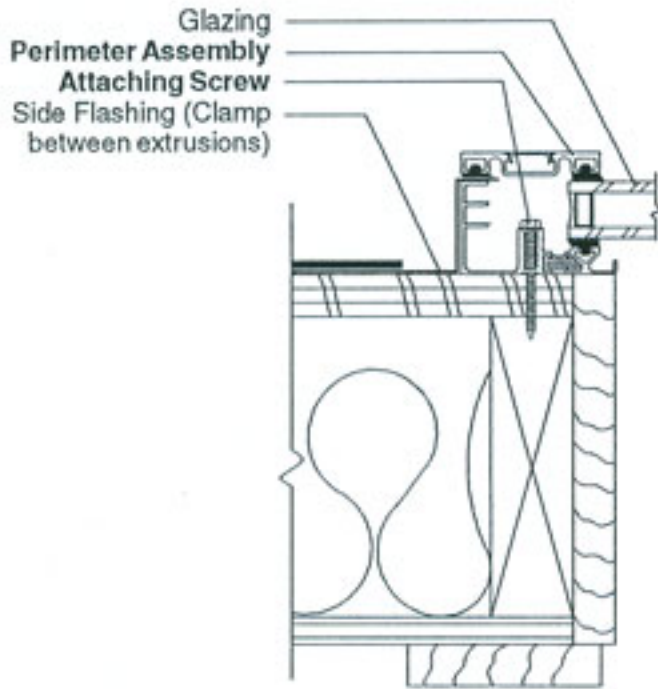


**3**  
**2** BOTTOM SECTION



# SECTION 3

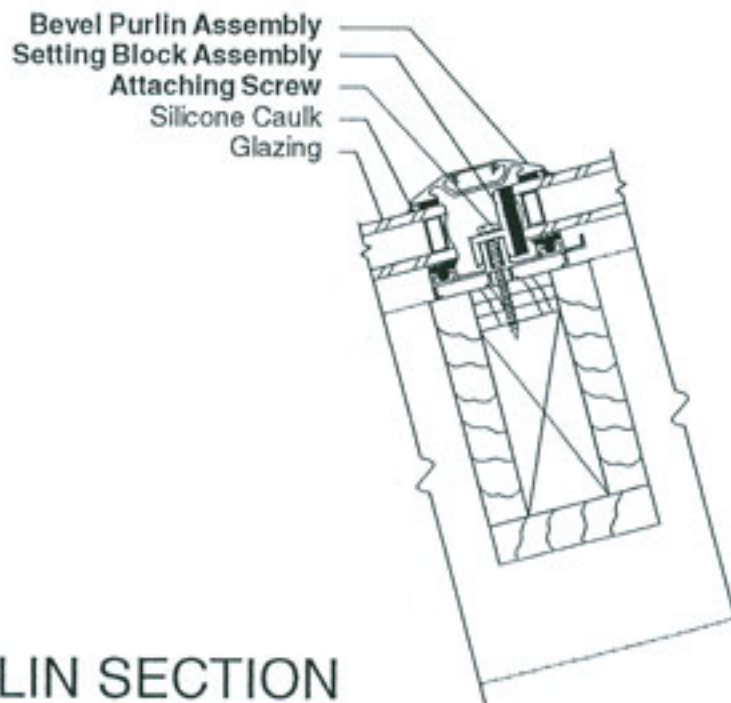
# PRO-SEAL™



3 SIDE SECTION  
3

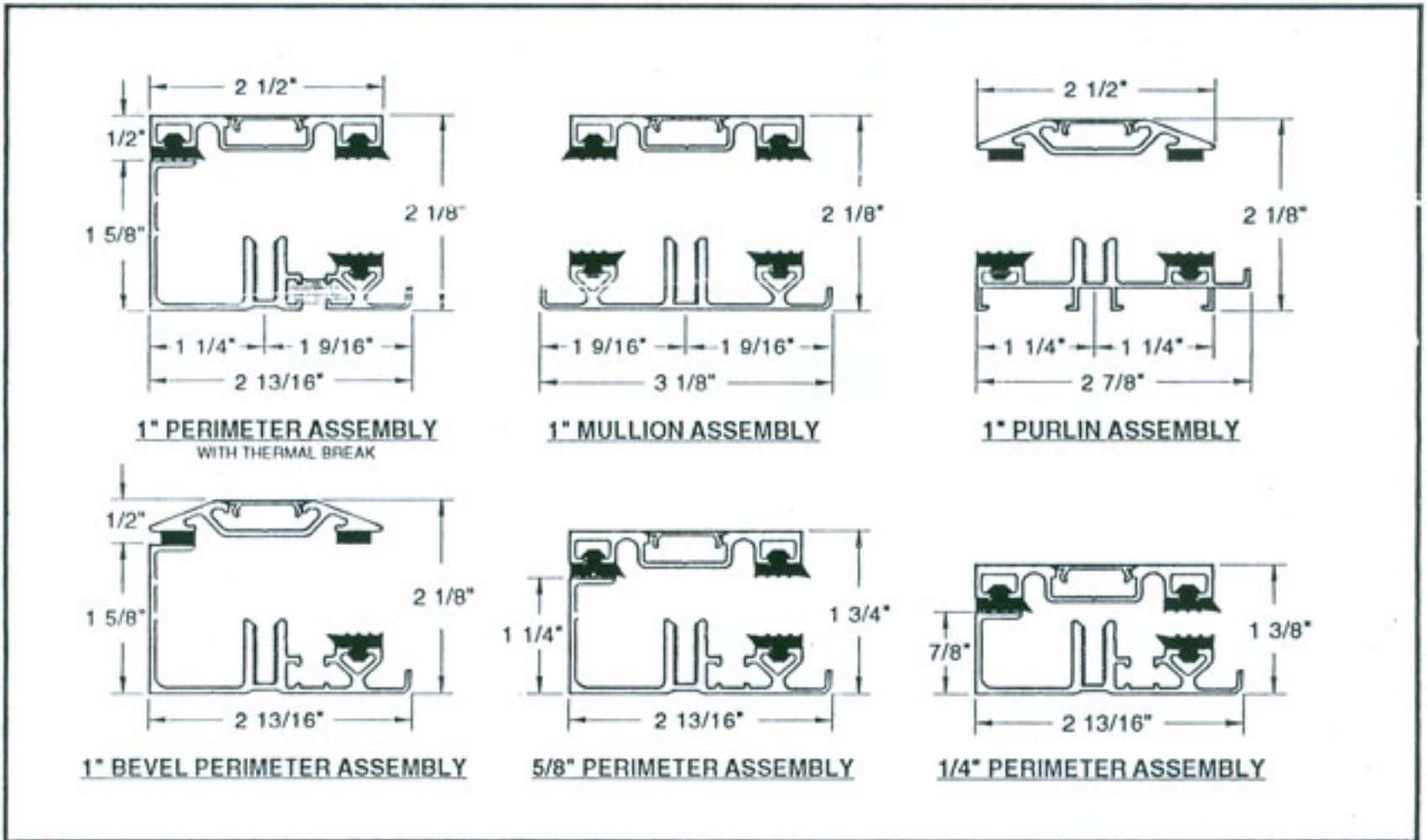


3 MULLION SECTION  
4



3 PURLIN SECTION  
5

**PRO-SEAL™ ASSEMBLIES**



**PRO-SEAL™ EXTRUSIONS (Exploded View)**

